

InRouter 6x1 Series

Smart RS232/Ethernet to HSUPA VPN Router



- **COMPACT DESIGN**, easy to install
 - Metal housing
 - Dimensions (L×W×H):100mm×100mm×23mm
- **LOW POWER CONSUMPTION**: Below 3W
- **HIGH RELIABILITY**: hardware/link self-recovery
- **VPN**: IPSec/PPTP/L2TP/GRE
- **BEHAVIOR MANAGEMENT** by firewall IP service filtering
- **CENTRALIZED MANAGEMENT PLATFORM**: InHand Device Networks Cloud



Overview

IR600 series are compact HSUPA gateways which are used to transmit serial or Ethernet data to customers' data center through UMTS/GSM mobile networks. With hardware/software detect and self-recovery design, IR600 series ensures the reliability of customers' data transmission.

IR600 series also support several VPN technologies to ensure security, including standard IPSec/PPTP/L2TP/GRE. The IR600 provides convenient remote management via CLI and web page, which significantly reduces maintenance costs. Moreover, with customization services, IR600 series can benefit customers by high scalability, and efficient networking solutions for unattended field applications.

Multiple software functions such as IP filtering and SMS reboot are also helpful for customers to manage remote devices.

Specification

Interfaces

Ethernet LAN Port:

Number of Ports: 1 RJ-45, 10/100Mbps, auto-sensing

Magnetic Isolation Protection: 1.5KV built-in

Cellular WAN Port:

Universal UMTS/HSDPA 850/900/1800/1900/2100 MHz

GSM/GPRS: 850/900/1800/1900 MHz

Serial Port:

Number of Ports: 1 RS-232 (DB9)

Isolation Protection: 1.5KV ESD protection

Serial BUS Protocols:

Modbus TCP, Transparent TCP, Virtual COM

Power Requirements

Power Input: 5 to 26V DC with Industrial Terminal

Power Consumption:

- Max:240mA@12V DC (2.88W); Idle:150mA@12V DC (1.8W)

Operating:170mA to 220mA@12V DC (2.0 4W to 2.64W)

Environmental

Housing: Metal, IP30 Protection

Temperature: Operating: -10 to 70°C (14 to 158°F)

Storage: -40 to 85°C (-40 to 185°F)

Humidity: 5% to 95%, non-condensing

Safety Certificate

Anti-shock: IEC60068-2-27

Anti-drop: IEC60068-2-23

Anti-vibration: IEC60068-2-6

Configuration Method: Web/Telnet

Network Reliability Assurance

Built-in hardware watchdog, self-recovery

PPP link detection disaster self-recovery

Professional upgrades mechanism, assure upgrade safety

VPN: IPSec/PPTP/L2TP/GRE, support CA certificate

Firewall

State Packet Inspection (SPI), multicast filtering, PING packet filtering, DoS attack preventing

TCP/IP Protocols

ICMP, DHCP, Telnet, DNS, VRRP, HTTP, HTTPS, DDNS

Device Networks Cloud Service

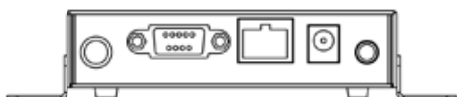
Remote batch management (control & configure)
Online status/traffic report

Warranty

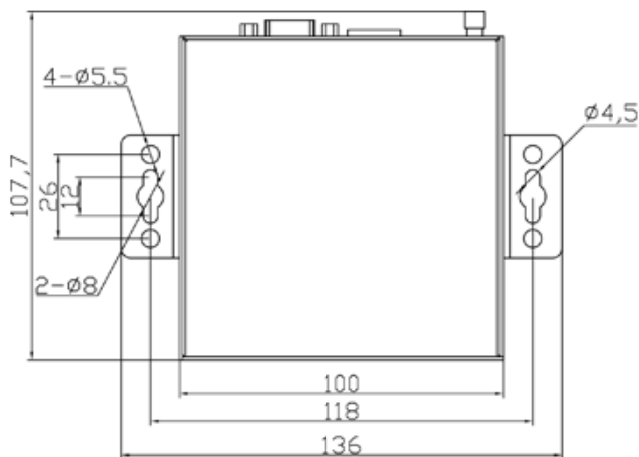
Warranty Period: 1 year

Dimensions (Unit: mm)

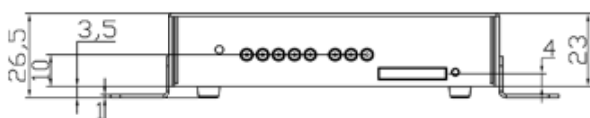
Standard Model (L×W×H=100×100×23)



Back View

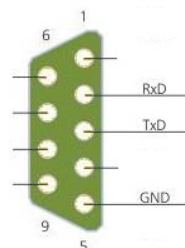


Top View

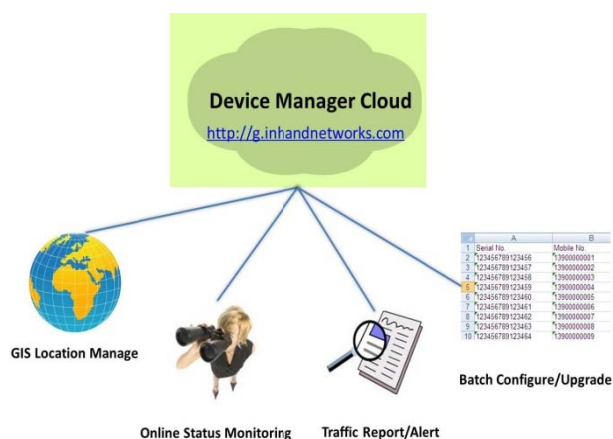


Front View

DB9 RS232 Port



Device Manager Cloud



GIS Location Manage – Easy access to devices
 Online Status Monitoring – Remote diagnose
 Traffic Report/Alert – Save traffic cost
 Batch Configure/Upgrade – Efficient manage

Order Information

Optional Models:

UMTS/HSUPA/WCDMA/GSM Router:

InRouter 601WH01: no VPN

InRouter 611WH01: VPN support (IPSec/PPTP/L2TP/GRE)