



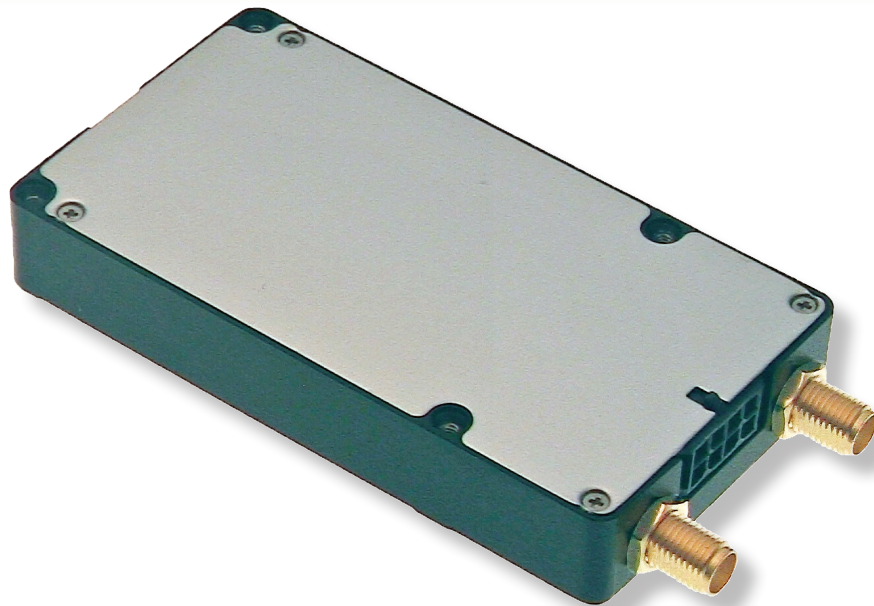
Alta Industrial Automation Ltd.

Intelligent Device Networking

Be in control of your remote assets.

M2M

GoFer-E GPRS EDGE Data Modem

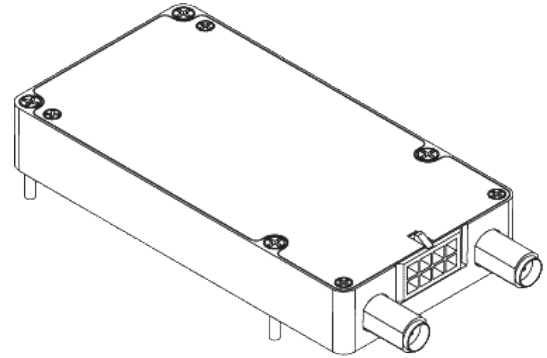


Features:

- **Small and compact!**
- **Real Time** connectivity over the GPRS wireless network.
- Use as an "**embedded** modem" or "**stand-alone** modem".
- Mount on a circuit board, or use a cable interface.
- Rugged 12V Industrial power solution.
- **Low Power Consumption** with power management and ignition control options.
- **Quick Time to Market** with a Certified Cellular Data Solution.

Do **MORE** with less; Send your **GoFer** wireless!

The GoFer's **unique feature** allows you to embed the device onto your application specific circuit board. The GoFer is a tightly integrated wireless data modem with built-in automotive grade voltage regulator solution for rugged industrial applications.



Base Features:

- EDGE Max BR 236.8kbps
- GPRS Max BR 85.6kbps
- Circuit Switched Data Max BR 14.4kbps
- RS232 UART max BR 460kbs
- USB 2.0 (Full Speed)
- Embedded FTP, SMTP/POP3, TCP/IP, UDP/IP
- Secure Socket Layer (SSL/TLS)
- SMS: Short Message Services
- AT Commands GSM 07.05, GSM 07.07, GSM 07.10
- Power 8-32Vdc
- 15mA nominal standby current and 2mA sleep current
- Operating Temperature -30C to +85C
- Over The Air maintenance
- Quad-band 850/900/1800/1900MHz
- 50Ω SMA antenna connector
- Locking SIM socket
- Dimensions: 8cm x 4.3cm x1.26cm (LWH)
- 4x mounting holes threaded for 2-56 machine screws

Expansion Port (optional)

- Replaces the main connector
- Mount the GoFer directly onto a circuit board
- 2mm 2x10 header
- For Embedded module applications
- Optional sleep/wakeup pins for power management.

Accessories

- Mounting brackets
- Enquire about antenna options
- Enquire about wire harness options
- Enquire about carrier board options

Applications:

Send and receive data using cellular wireless networks. The GoFer is an ideal solution for:

- Smart Energy
- ATM Terminals
- Automotives
- Data Collection
- Gas Pumps
- Other devices requiring M2M and wireless/internet connectivity
- Asset Tracking
- Remote Monitoring
- Security Systems
- Vending Machines
- Remote Diagnostics
- Remote Tanks
- Gas Wells
- Irrigation
- Air Quality
- Utilities
- Environmental Monitoring
- Fleet Management
- Asset Management
- Data Logging
- Appliances

Alta Industrial Automation Ltd

#659, Alastair Ross Technology Centre
3553 31 Street NW
Calgary, AB T2L 2K7

Phone: 403-717-0310

Fax: 403-717-0311

E-mail: sales@aialtd.com

www.aialtd.com

DISTRIBUTED BY: